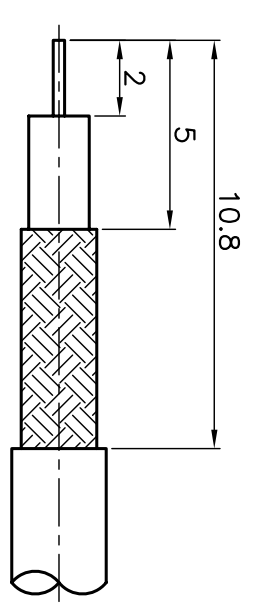
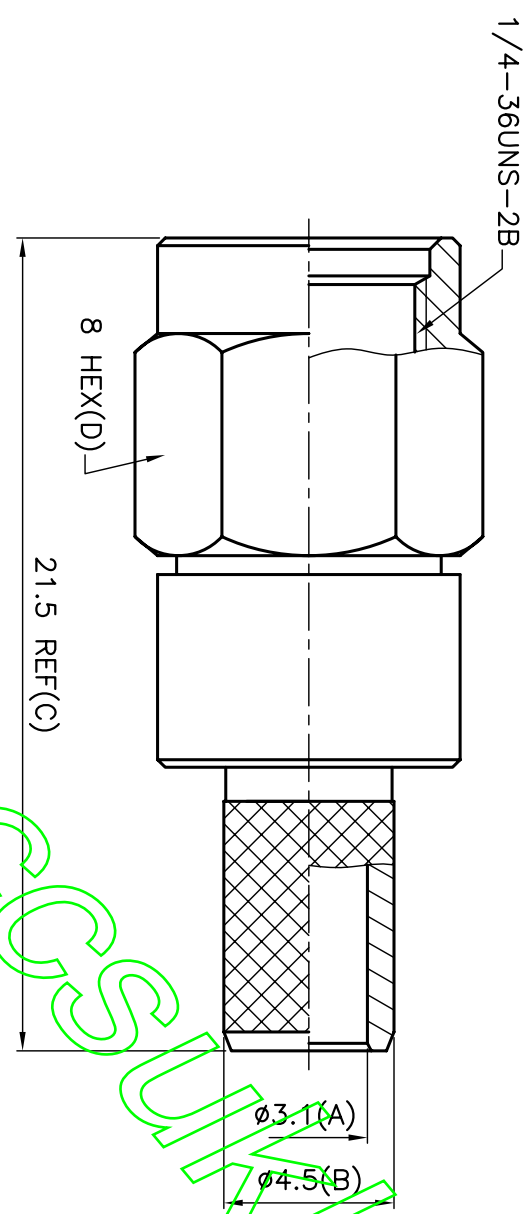


ISS	REVISIONS
	DESCRIPTION \ DATE

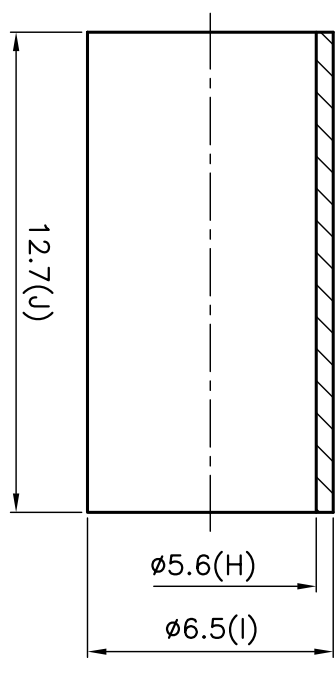
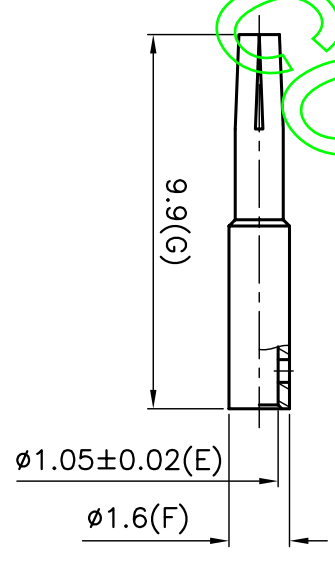


RECOMMENDED  
CABLE STRIPPING DIM'S

RoHS COMPLIANT



1. CRIMPED FERRULE  
HEX CRIMP SIZE .213"
2. CONTACT PIN TO SOLDER



**CONNECTORS CABLES**  
**CRS**  
**SPECIALISTS LTD**

TITLE: SMA MALE CRIMP REVERSE  
(FOR RG58/U)

PART NO: SMAPCR58R  
DR. NO:

APRD:	UNLESS OTHERWISE SPECIFIED TOLERANCES
CHKD:	0.5-6 = ±0.2
DR:	>6-30 = ±0.4
	>30-120 = ±0.6
	>120-315 = ±1.1
	>315-1000 = ±1.6
	ANGLES = ±1.5°

DATE: 07/28/09"	UNIT: mm
SHEET: 55	SCALE: 5/1

NO.	DESCRIPTION	MATERIAL	FINISH
	FERRULE	BRASS	GOLD
	PIN	PHOSPHOR BRONZE	GOLD
	BODY	BRASS	GOLD
	INSULATOR	TEFLON	WHITE
	C RING	STAINLESS STEEL	GOLD
	GASKET	S.L.RUBBER	RED
	SHELL	BRASS	GOLD